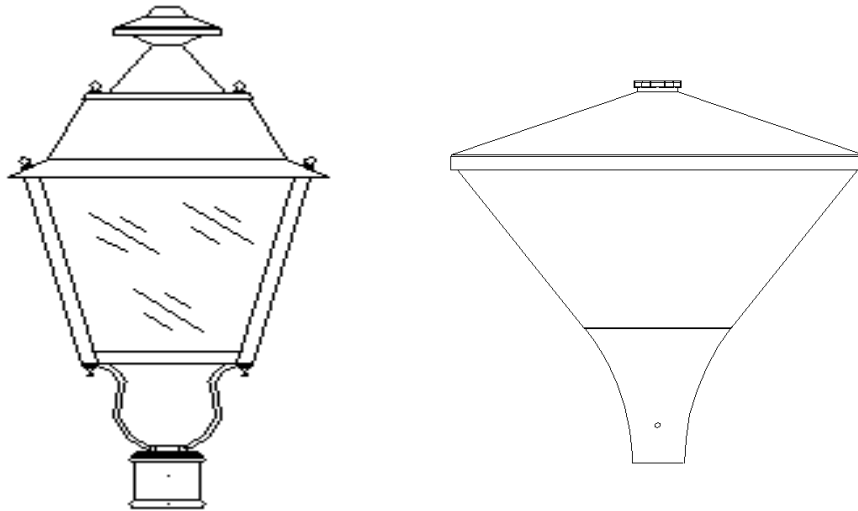


LED Post Top Luminaries

INSTALLATION INSTRUCTIONS

(KLTOPA50/KLHVTOPA50/KLTOPB50/KLHVTOPB50)



! Warning:

- Turn power off before inspection, installation or removal.
- Properly ground electrical enclosure.
- Make sure all install firmly.
- Use only UL or IEC approved wire for input/output connections.
- Minimum size of the AC wires 18 AWG.
- The luminaire must be installed by qualified electrician.
- Other warnings that will not lead to misuse.

Descriptions:

- This luminaries is designed for outdoor lighting applications, and should not be used in areas of limited ventilation, or in high ambient temperature enclosures.
- This luminaries is designed to operate in ambient temperatures ranging from -40°C to 50°C and to be mounted horizontally on a vertical wall with LEDs facing down.
- This luminaries is designed use in wet Location, should be not used in water.

Installation:

● Unpacking

This luminaries has been properly packed ,should be no part damaged during The transit.

Inspect after open the package to confirm any thing missing or damaged.

● Handling

Damage may occur if luminaries is improperly handled outside of pack ,Do not impact or stack luminaries after removal from packaging.

● Mounting

- This luminaries is provided with means for mounting on 3-inch (76mm) max. outside diameter pole tops.

- Feed the power supply leads through the slip fitter wire access hole as the fixture is installed on the pole.
- Orient canopy screw or latch toward street and level by adjusting the 3 screws, and tighten.
- Caution: Tighten screws to 15 - 20 ft-lbs (20-27 N-m).
- Remove shipping ties from wire way in the rear upright.

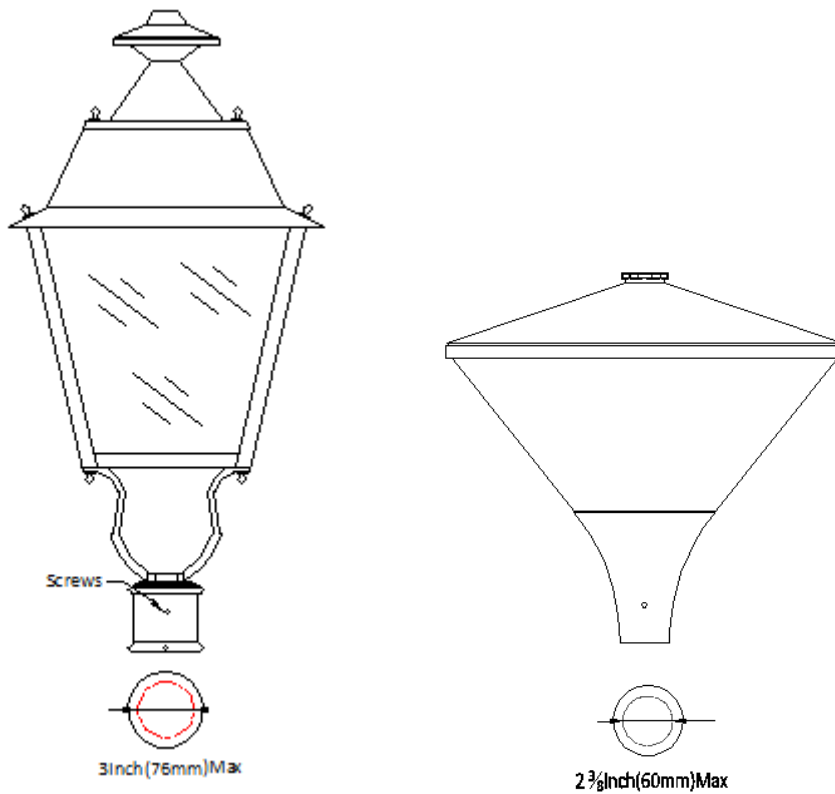


Figure 1

External Dimming Control (If Applicable):

- Gray Lead = 0VDC (-)
- Violet Lead = Up To 10VDC (+)

Occupancy Sensor(optional):

Keep The surface of the sensor clear

- Wash thoroughly, using a soft cloth.
- Rinse with clean, cold water and wipe dry

● **Storage**

Until installation, all units should be placed in a covered dry storage area. The storage area should not exceed -40°C (-40°F) to 50°C (122°F).